

# Technical data sheet

## Product features



### Tilting bratt pan electric

<b>Model</b>	<b>SAP Code</b>	00020396
--------------	-----------------	----------



- Bottom material: Steel
- Bottom thickness: 12.00
- Basin volume [l]: 50
- Usable volume [l]: 50
- Tilting: Motorised
- Filling: Mechanical cock
- Type of pan: Tiltting
- Basin shape: Practically shaped bathtub spout to minimize spillage
- Protection of controls: IP24
- Service accessibility: Trough the frontal panel

<b>SAP Code</b>	00020396	<b>Loading</b>	400 V / 3N - 50 Hz
<b>Net Width [mm]</b>	800	<b>Bottom material</b>	Steel
<b>Net Depth [mm]</b>	730	<b>Basin volume [l]</b>	50
<b>Net Height [mm]</b>	900	<b>Usable volume [l]</b>	50
<b>Net Weight [kg]</b>	157.40	<b>Tilting</b>	Motorised
<b>Power electric [kW]</b>	10.500		

# Technical data sheet

Technical drawing

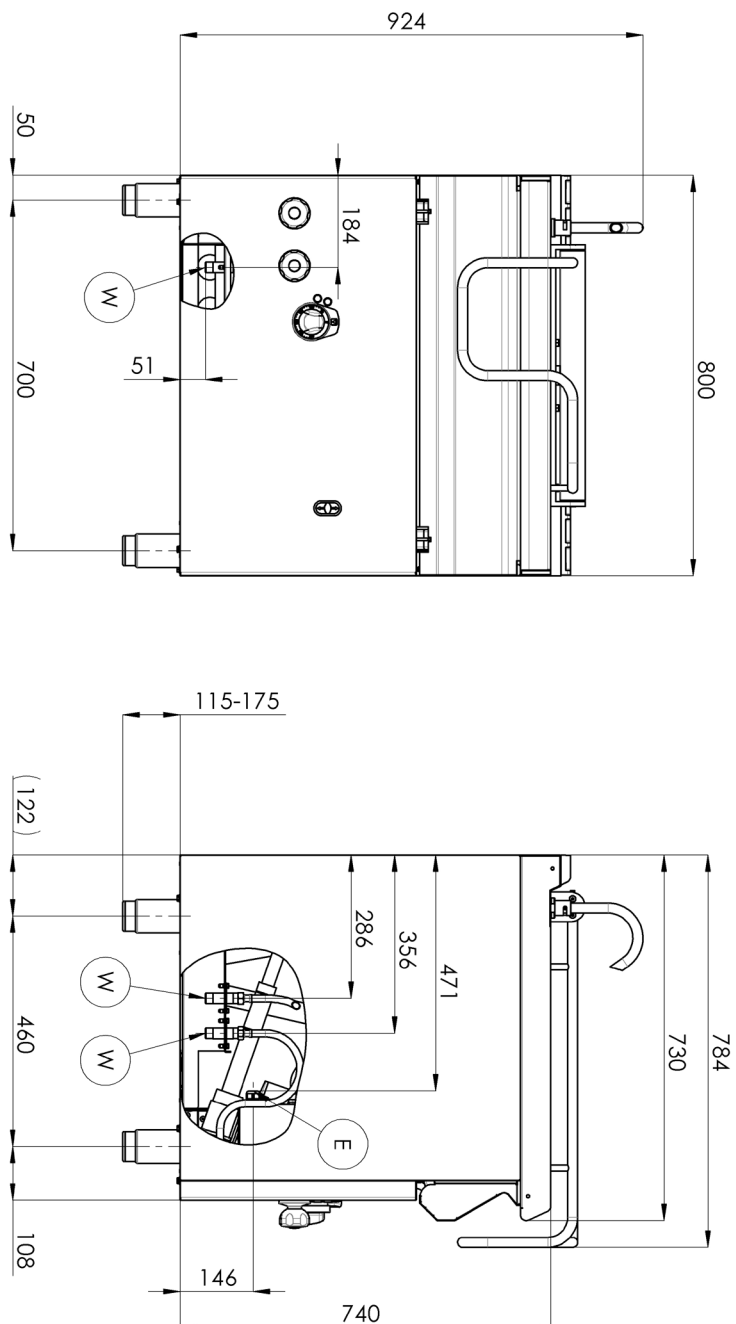


## Tilting bratt pan electric

Model

SAP Code

00020396



# Technical data sheet

Technical parameters



## Tilting bratt pan electric

**Model**

**SAP Code**

00020396

**1. SAP Code:**

00020396

**2. Net Width [mm]:**

800

**3. Net Depth [mm]:**

730

**4. Net Height [mm]:**

900

**5. Net Weight [kg]:**

157.40

**6. Gross Width [mm]:**

840

**7. Gross depth [mm]:**

800

**8. Gross Height [mm]:**

1080

**9. Gross Weight [kg]:**

167.50

**10. Device type:**

Electric unit

**11. Power electric [kW]:**

10.500

**12. Loading:**

400 V / 3N - 50 Hz

**13. Protection of controls:**

IP24

**14. Exterior color of the device:**

Stainless steel

**15. Material:**

AISI 304 top plate and cladding

**16. Indicators:**

operation and warm-up

**17. Worktop type:**

Molded - comfortable cleaning maintenance

**18. Worktop material:**

AISI 304

**19. Worktop Thickness [mm]:**

1.50

**20. Basin volume [l]:**

50

**21. Volume capacity of the container [l]:**

50.00

**22. Maximum device temperature [°C]:**

300

**23. Minimum device temperature [°C]:**

50

**24. Service accessibility:**

Trough the frontal panel

**25. Safety thermostat:**

Yes

**26. Safety thermostat up to x ° C:**

360

**27. Adjustable feet:**

Yes

**28. Tilting:**

Motorised

# Technical data sheet

Technical parameters



## Tilting bratt pan electric

**Model**

**SAP Code**

00020396

**29. Bottom thickness:**

12.00

**30. Bottom material:**

Steel

**31. Type of pan:**

Tilting

**32. Usable volume [l]:**

50

**33. Filling:**

Mechanical cock

**34. Basin shape:**

Practically shaped bathtub spout to minimize spillage

**35. Water filling type:**

Both cold and warm

**36. Cross-section of conductors CU [mm<sup>2</sup>]:**

2,5

- Výkon (kW): 11-17 (230 V); 19-30 (400 V)

**37. Water supply connection:**

1/2"